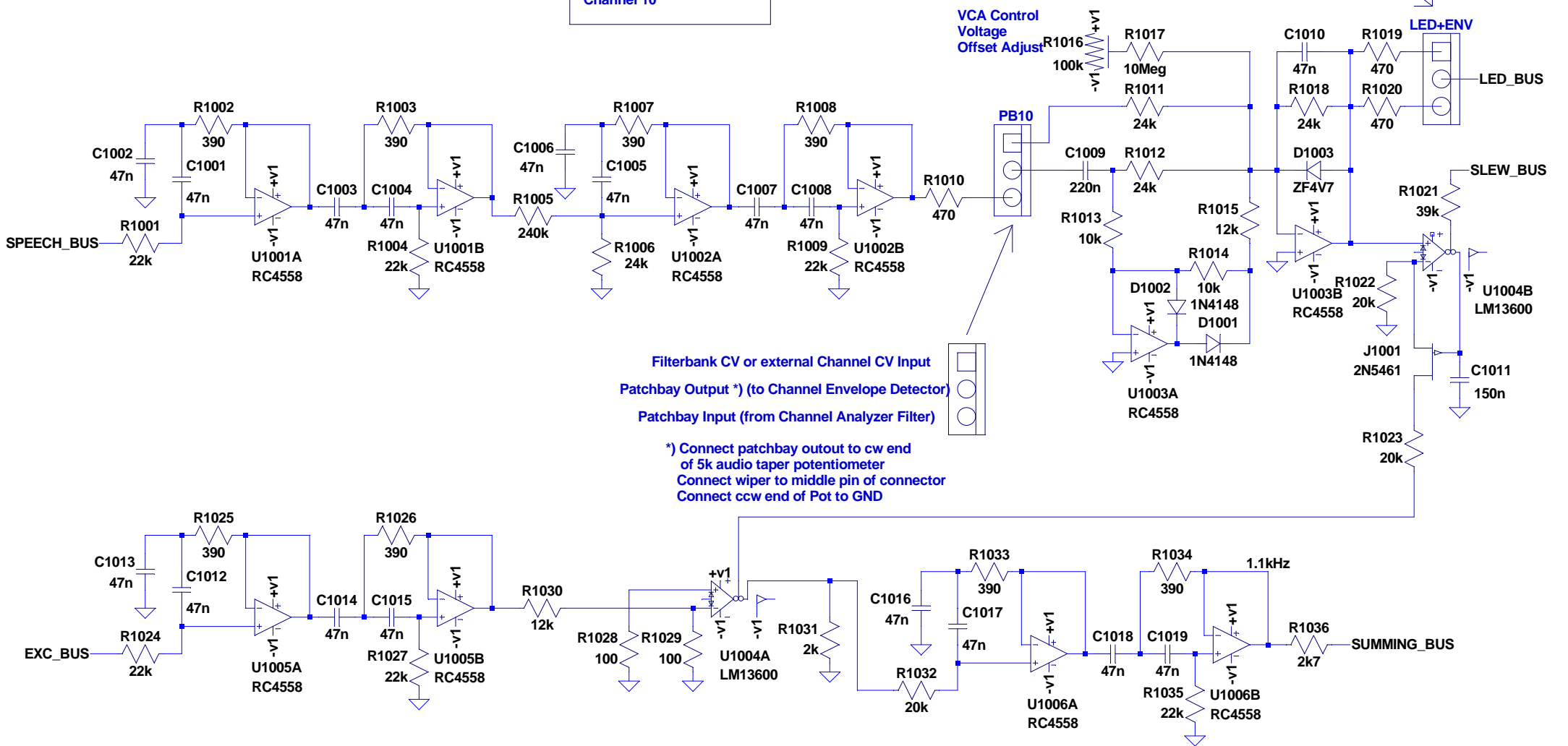


JH. Living Vocoder
 (c) J. Haible 2010
 All Rights reserved
 Errors excepted
 Channel 10

Channel Level LED Cathode
 Channel Level LED Anode
 Channel CV Output (negative voltage!)



*) Connect patchbay output to cw end of 5k audio taper potentiometer
 Connect wiper to middle pin of connector
 Connect ccw end of Pot to GND